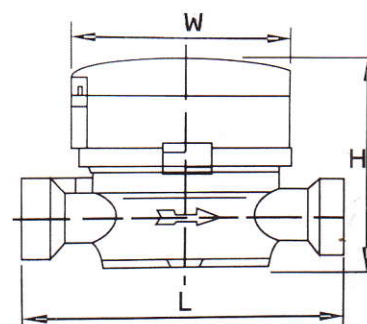




### SALIENT FEATURES

- Single jet, super dry, straight reading type, hermetically sealed water meter with magnetic Driven totaliser.
- Standard : it complies with IS:779/94 and class B of ISO:4064
- Brass body and coupling Nut Nipple
- Plastic cap and ring
- Sealed against tampering
- Leakproof, totally dry
- Measuring unit is kiloliters
- Maximum Reading 99999.9999



### METER DIMENSIONS

TYPE	Size (mm)	Length mm L	Width (mm) w	Length Including Nipple± 5%	Height (mm) H	Conneting Thread D
Single Jet	15MM	110	77	250	82	3/4
Single Jet	20MM	130	78	290	85	1"

### WORKING CONDITIONS

Water Temperature  $\leq 45^{\circ}\text{C}$

Water Pressure  $\leq 1\text{MPa}$  (PN:1.6 MPa/16bar)

### ACCURACY :

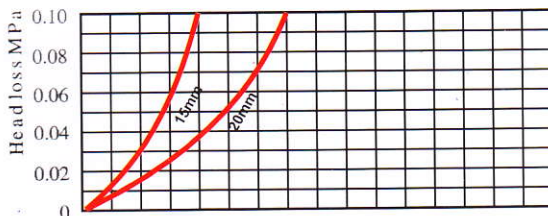
From minimum flow rate ( $Q_{\min}$ ) Inclusive to transitional flow rate ( $Q_t$ ), Exclusive  $\pm 5\%$

From transitional flow rate ( $Q_t$ ) Inclusive to Maximum flow rate ( $Q_{\max}$ ), Exclusive  $\pm 2\%$

### PERFORMANCE DATA

Nominal Size DN (mm)	Minimum Reading Quantity In Litres	Hydro Static Test	Maximum Flow Rate in $Q_{\max}$ -Lts./Hr	Nominal Flow rate $Q_n$ -Lts/hr	Transitional flow rate $Q_t$ -Lts/hr	Minimum Starting Flow $Q_{\min}$ -Lts/hr
15	0.2	2.0MPa	3000	1500	120	30
20	0.2	2.0MPa	5000	2500	200	50

### HEAD LOSS CURVE :



### ERROR CURVE :

